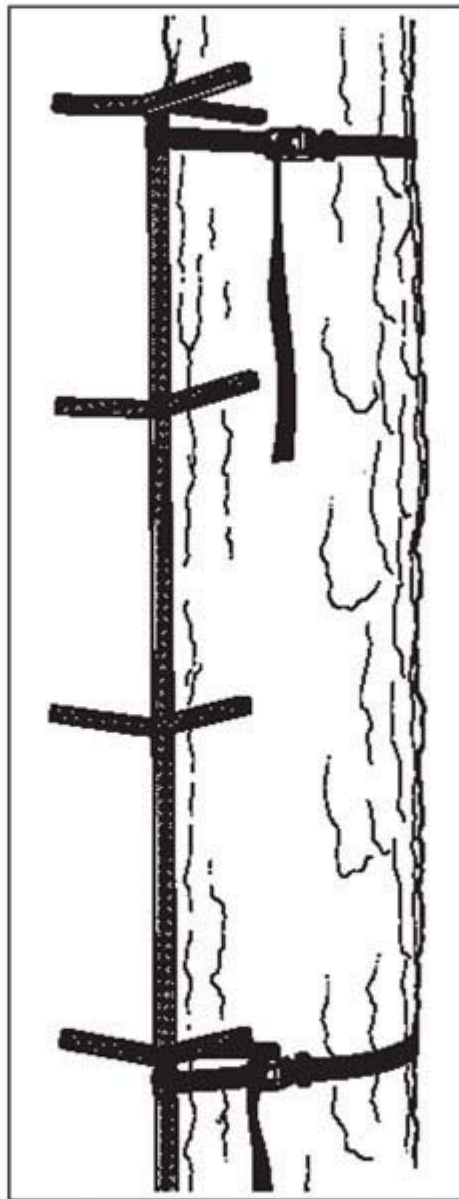


Instructions For Ol'Man Stick Ladder

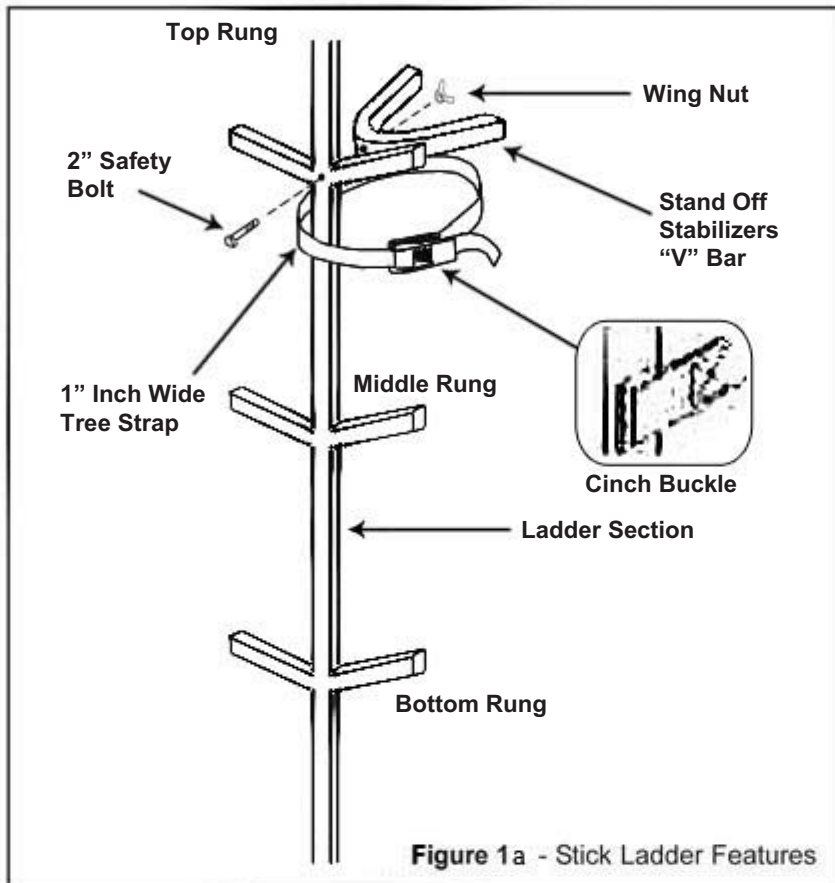


Ol' Man Stick Ladder Model COM-14
(Includes 5 Sections)

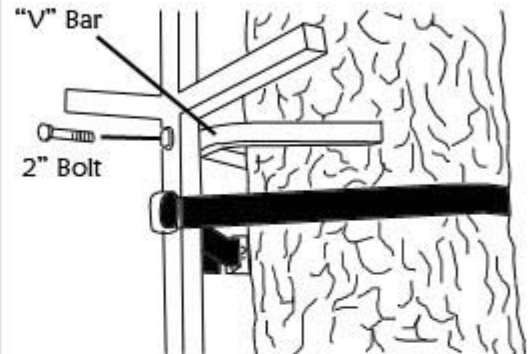


For your own personal safety, please take a moment to read each section of the instructions for the safe set-up, use, and care of the Ol'Man product included in this product instruction manual. A warranty registration card has been included with your new Ol'Man product. Please take the time to completely fill it out and send it to Ol' Man Treestands. Your signature on the warranty registration card acknowledges that you have read and understand the instructions and warnings contained in this instruction manual - and that you recognize their importance.

Components of the Stick Ladder



Assembling of the Support ("V") Bars



Step 1- Refer to Figure 1b locate the ladder "V" Bars. Install all five (5) of them using the 2" bolts and wing nuts as shown in Figure 1b.

Step 2- Be certain to install the ladder "V" Bars with the cinch buckle receptacles oriented to the outside of the ladder section as shown in Figure 1b.

SPECIFICATIONS

Standard Model:	Ol' Man Stick Ladder
Model No.	OSL
Weight per section	4.5 pounds
Number of Sections	5 (20 ft. total height)
Total Weight (4 Sections)	17 pounds
Length per section	48" inches
Weight capacity	300 pounds
Color	Autumn Green

Ol' Man Outdoors
 2830 Plant Street - Tallahassee, FL 32304
 1-888-656-2606
www.olmanoutdoors.com

Thank you for your purchase of this quality OI'Man Treestands product!

To ensure your personal safety, please take a moment to carefully read this product instruction manual in its entirety before attempting to set-up, assemble, install, or use this product. Failure to do so could result in serious personal injury or death. This OI'Man product was designed, engineered, and manufactured under rigorous quality standards. This product has undergone uncompromising testing that insures that it is structurally sound and safe for your use, if used in accordance with the instructions contained in this product instruction manual. Proper installation, set-up, and use of this - or any OI'Man product is the responsibility of the user. **NEVER EXCEED THE 300 LB RATED LOAD OF THIS PRODUCT!!!**

Should you have any questions about the installation or use of this product or any other OI'Man product, please do not hesitate to call one of our customer service representatives toll-free at 1-888-656-2606. Our service representatives will answer any questions you may have about any of the complete line of OI'Man Treestands products.



WARNING! Statements have been placed throughout this product instruction manual. These statements point out important safety information and instructions, which, if not followed, could endanger the personal safety and/or property of the operator. It is imperative that the operator of this product, or any other OI'Man product, read and understand all the instructions and warnings contained in this manual prior to attempting to use this product, or any other OI'Man product. **Failure to follow these instructions may result in serious personal injury or death.**

ATTENTION

WHEN YOU SEE A WARNING! BE SURE TO HEED THE MESSAGE!



WARNING! Statements have been placed throughout this product instruction manual. These statements point out important safety information and instructions, which, if not followed, could endanger the personal safety and/or property of the operator. It is imperative that the operator of this product, or any other OI'Man product, read and understand all the instructions and warnings contained in this manual prior to attempting to use this product, or any other OI'Man product. **Failure to follow these instructions may result in serious personal injury or death.**



WARNING! Falls can occur any time after leaving the ground. Never rely on a branch for support. You must wear a fall arrest system with this OI'Man product at all times during use, including while ascending and descending, and at all times while in your treestand. **Failure to follow these instructions may result in serious personal injury or death.**



WARNING! DO NOT use this, or any other OI'Man product to climb utility poles, or any other man-made structures. Never jump or bounce on a treestand to seat it to a tree. Pull up hunting equipment only after being secured in the treestand. **Failure to follow these instructions may result in serious personal injury or death.**



WARNING! Thoroughly inspect every ladder section prior to each use and before you leave the ground for signs of wear, rot, corrosion, cracks, deterioration or damage. Protect this product from direct sunlight, excessive heat and/or freezing temperatures. DO NOT use this, or any other OI'Man product if it shows signs of wear, damage, or deterioration. **Failure to follow these instructions may result in serious personal injury or death.**



WARNING! DO NOT use this, or any other OI'Man product, if you have a history of heart problems, back problems, impaired vision, equilibrium impairments, high blood pressure, or any other physical impairment, or are on any type of medication or any other substance, including alcohol, that may alter your ability to safely operate this, or any other OI'Man product. **Failure to follow these instructions may result in serious personal injury or death.**



WARNING! DO NOT use this or any other OI'Man product during thunderstorms or any other adverse weather condition which has the potential of producing lightning or high winds. **Failure to follow these instructions may result in serious personal injury or death.**



WARNING! DO NOT use this, or any other OI'Man product when ice, snow, and/or freezing rain has deposited or formed on any part or portion of the tree. **Failure to follow these instructions may result in serious personal injury or death.**



WARNING! This OI'Man product is designed for ADULT USE ONLY! No one under the age of 16 should attempt to utilize this product, or any other OI'Man product, without direct adult supervision. **Failure to follow these instructions may result in serious injury or death.**



WARNING! DO NOT remove, modify, and/or omit any portion or otherwise mechanically modify this product in any manner. Modification, misuse, and/or part substitution will void your warranty and may result in serious injury or death. If you suspect that parts are missing or defective, immediately contact an OI'Man customer representative toll free at 1-888-656-2606. If parts are lost or damaged, use only OI'Man factory authorized replacement parts. **Use of any replacement parts other than genuine OI'Man replacement parts voids your warranty and may result in serious personal injury or death.**

SETTING-UP YOUR OL'MAN STICK LADDER

- Step 1:** Select a straight tree between 6" and 24" inches in diameter.
- Step 2:** Separate the five sections of the Stick Ladder by unwrapping the strap which is securing the sections together. Note: One of the sections has a "Tee Base" snapped on the bottom. Use this for the bottom section (refer to Figure 1). All sections are the same and the Tee Base can be removed and snapped onto another section if needed.
- Step 3:** Take each ladder section and with your finger, push the Spring Lock Button inward while, at the same time, insert the bottom portion of the ladder into the top of each section. Slide it in until the spring lock button "pops out" into the hole. **Note:** Make sure that this button is seated properly in the hole and is extending outward from the hole approximately 1/4" inch. **Attach all sections together while at ground level.**
- Step 4:** While standing on the ground place the bottom (first) ladder section with the Tee Base on the ground at the base of the tree. Position yourself at the middle of the assembled ladder and lift the Ladder into the vertical position (refer to Figure 2). Make sure that all four of the stand off stabilizers are in complete contact with the tree.

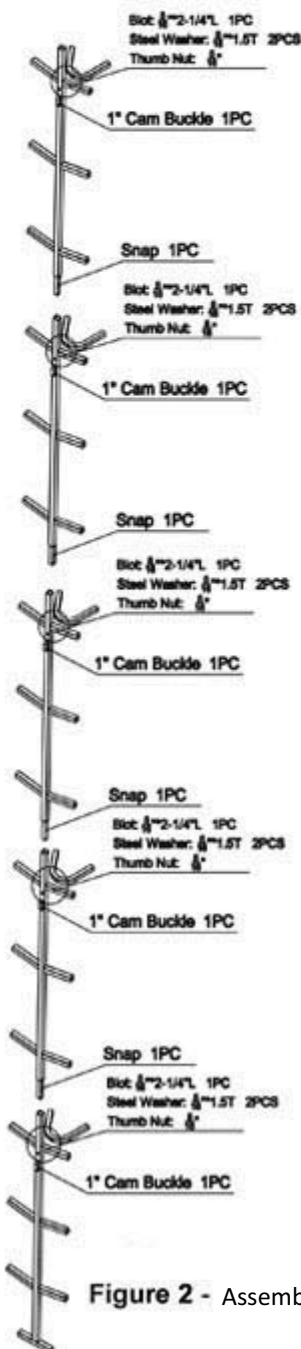


Figure 2 - Assembled Ladder

Important Note:

Each ladder section is attached to the tree by a 1" wide ratchet strap and flat hook assembly. Make sure the 1" wide strap is threaded through the Strap receptacle (refer to Figure 1). Also, make sure there is no loose bark, knots, or limbs in the path of the 1" wide strap preventing it from positioning properly.

Step 5: While standing on the ground depress the buckle release button on the first section and extend the 1" wide tree strap long enough to wrap the cinch buckle end of the strap around the tree trunk. Now place the flat hook inside the end of the cinch buckle and hook it on the flat cross bar at the end of the buckle. (refer to Figure 3)

Step 6: Insert the safety pin through the hole in the side of the cinch buckle and over the top of the flat hook. **Note:** If this is done properly the strap cannot be unhooked without removing the safety pin.

Step 7: With the ratchet strap threaded, tighten the ratchet strap. If you are unsure how to properly thread the ratchet strap refer to figure 4 A.

Step 8: Make sure that the ratchet strap pulls the ladder section tightly and squarely against the tree.

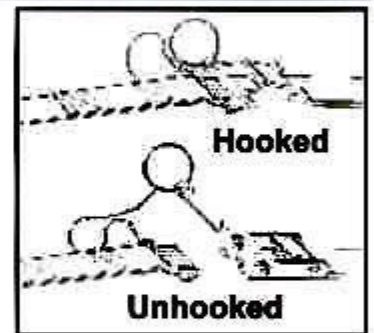


Figure 3 - Hooking the Flat Hook to the Cinch Buckle

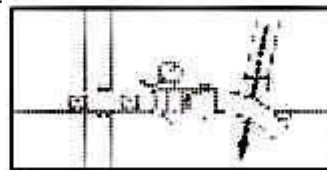


Figure 4a - Tie a Half Hitch Knot

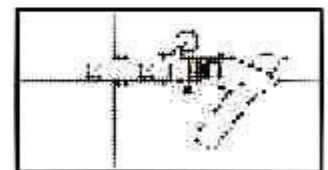


Figure 4b - Tie a Half Hitch Knot

ATTENTION



WARNING! STOP NOW! Make sure that you are wearing your full body harness fall arrest system, and that its tree belt and lanyard is connected to the tree you intend on climbing! As you climb, it will be necessary to slide the full body harness fall arrest tree belt up the tree as you ascend. Failure to follow these instructions may result in serious personal injury or death.

Step 9: Before climbing above ground level attach your fall arrest system to the tree you are climbing. Refer to Steps 11, 12 & 13 and the instructions provided with your fall arrest device for proper usage in this application. **WARNING!** If the fall arrest device is not designed for use in the described application, please contact Ol' Man Treestands at (1-888-656-2606) to purchase a new fall arrest device.





Figure 5- Secure the Linemen's Belt to the Loop on One Side



Figure 6- The Lineman's Belt Hooking to the Opposite Loop



Figure 7- Adjust the Length as Needed for Hands Free Attachment

Step 10: Once properly wearing your Fall Arrest Device (**we recommend a full-body harness with loops and Lineman's Belt**) find the D-ring of your fall arrest device on either side. At this point secure the linemen's belt to the D-ring on one side (refer to Figure 5),

Step 11: Place the other end of the lineman's belt (with hook) around the tree and hook to the opposite loop on your fall restraint device (refer to Figure 6).

Step 12: Adjust the length as needed for hands free attachment (refer to Figure 7).

Step 13: Climb up the bottom ladder section until you are able to reach the strap on the next section.



WARNING! Never climb above the middle rung on the section previously attached. Failure to follow these instructions may result in serious injury or death.

Step 14: Now repeat Steps 5 through 8 to attach each section as you ascend the tree.

Step 15: Once all sections are attached, pull up your fixed position treestand using a pull-up rope/strap. Follow the instructions provided with your treestand and attach the standing platform at or below the middle rung of your highest ladder section. This will allow you to safely step down into the middle of the standing platform. **CAUTION-** Never place your treestand higher than the middle rung of your highest ladder section. This enables you to safely step down onto the center of the standing platform of your Roost (Ol'Man's fixed position Treestand).

DETACHING YOUR OL'MAN STICK LADDER



ATTENTION

WARNING! STOP NOW! Make sure that you are wearing your full body harness fall arrest system, and that its tree belt and lanyard is connected to the tree you intend on climbing! As you climb, it will be necessary to slide the full body harness fall arrest tree belt up the tree as you ascend. Failure to follow these instructions may result in serious personal injury or death.

Step 1: Remove your fixed position treestand per the instructions provided with the treestand and lower it to the ground with a pull-up rope/strap.

Step 2: Remove the Stick Ladder sections by standing on the middle rung of the ladder section below the section you intend to remove. Now untie the half hitch knot in the 1" wide strap, depress the release button on the cinch buckle to loosen it from the tree. Remove safety pin and unhook the flat hook from the cinch buckle. Repeat this step as you descend until all sections are released from the tree.

Step 3: Once on the ground lower the assembled ladder to the ground by leaning it away from the tree. Take the ladder sections and with your finger, push the Spring Lock Button inward while, at the same time, pulling the sections of the ladder apart. Now stack the sections together and secure them with the straps for easy transport.



WARNING! Pull up hunting equipment only after being secured in the treestand. Firearm must be pulled up unloaded, chamber opened, and muzzle pointed towards the ground.



WARNING! Inform someone of hunting location.



WARNING! A signal device must be on you and be readily available at all times!



WARNING! Practice installing the ladder sections at ground level.



WARNING! Instructions should be kept in a safe place and reviewed annually.



WARNING! Furnish instructions to anyone who borrows or purchases the stick ladder.



WARNING! When using a climbing belt to ascend the tree the full body harness should be attached to the tree before stepping down into the treestand.